



CONCEPTION &  
MANUFACTURING



PROJECT  
MANAGEMENT



CERTIFICATIONS



BULLET-PROOF



BURGLARY  
RESISTANCE

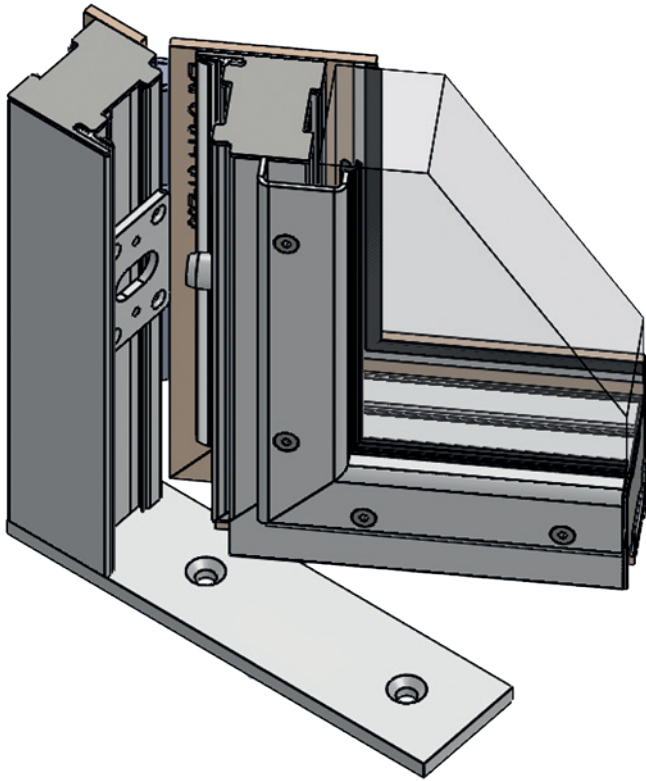


FIRE RESISTANCE



PRISON SECURITY

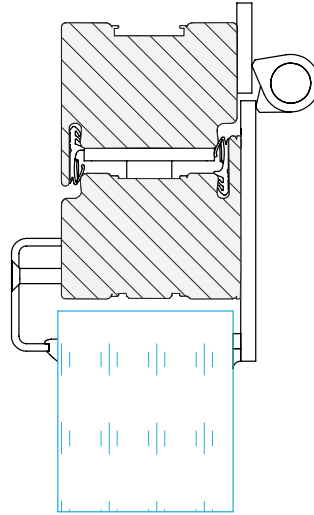
## A UNIQUE CONSTRUCTION BASED ON PROFILES



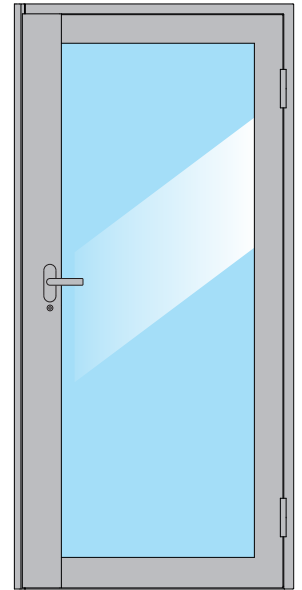
Developed by Metal Quartz based on Forster profiles.

### Characteristics :

- Steel joinery with or without thermal insulation
- Traceability (ISO 9001)
- Sanding with metallization (exterior) and powder coating in RAL color or stainless steel
- Accessories and custom options
- Security performance feature tested and certified
- CE certification



Drawing of a RC4 + FB6 glazed door



## THE COMMITMENT OF METAL QUARTZ HIGH SECURITY JOINERY WITH SLEEK DESIGN

1

### PERFORMANCE

The tests on each product guarantee our customers the level of performance of the proposed solution. The range of high security joinery covers performance burglary resistance, bullet-proof, fire resistance and complies with Belgian Federal Justice Department standards.

2

### QUALITY

The "quality" requirements in the production workshops go well beyond the statutory obligations: for instance, when we talk about a successful test, that means all components of the solution are subjected to testing, even the glazing, which is itself already compliant.

3

### DESIGN & CERTIFIED

Metal Quartz joineries combine design with certification. They are tested in laboratories up to their highest level of performance, while preserving fine steel profiles that have an understated and sleek design.

4

### FINISHING

All doors, frames, counters or booths are manufactured «made-to-measure». Our products are available with or without glazing, steel or stainless (for some performances) or with a RAL paint finish.

# OUR PRODUCTS CATALOG

## WITH COMBINED AND CERTIFIED PERFORMANCE FEATURES



### BURGLARY RESISTANCE EN 1627-1630 | RC2, RC3, RC4, RC5

- Single and double doors
- Solid or glazed doors
- Fixed frames and counters
- With or without combination bullet-proof
- With or without combination fire-proof
- Security grilles
- Sectional doors
- Tested by CNPP and Buildwise



### BULLET-PROOF EN 1522-1523 | FB4, FB5, FB6, FB7 & AK47

- Single and double doors
- Automatic sliding doors
- Solid or glazed doors
- Fixed frames and counters
- Curtain walls
- With or without combination burglary resistance
- Tested by the Royal Military School (Belgium) and the Banc National d'Epreuve de Saint-Etienne (France)



### FIRE RESISTANCE EN 1634-1 | 30, 60, 120

- Single and double doors
- Solid or glazed doors
- Fixed frames
- With or without combination burglary resistance



### PRISON SECURITY Norme SPF Justice | AE20

- Single and double doors
- Fixed frames
- Solid, (half-) glazed, with grids or bars
- Tested by the Belgian Federal Justice Department

	SINGLE DOORS	DOUBLE DOORS	FIXED FRAMES
BURGLARY RESISTANCE	RC3 (+FB4)	RC3	RC3
	RC4	RC4	RC4 (+FB6)
	-	-	RC5 + AK47 + MBE3
BULLET-PROOF	FB4	FB4	FB4
	-	-	AK47 + RC4 + MBE3
	FB5*	FB5*	FB5*
	FB6 (+RC4)	FB6 (+RC4)	FB6 (+RC4)
FIRE-RESISTANCE	FB7 (+RC4)	-	FB7 (+RC4) (+RC5)
	EI1 30	EI1 30	EI 30 (+RC2) (+RC3)
	EI2 30 (+RC2) (+RC3)	EI2 30 (+RC2) (+RC3)	-
	EI1 60	EI1 60	EI 60 (+RC2) (+RC3)
	EI2 60 (+RC2) (+RC3)	EI2 60 (+RC2) (+RC3)	-
	EI2 90	EI2 90	EI 90
-	-	EI 120	

\*under conditions / (+xxx) = optional performance combination / RC2 and other performance levels upon request



Each of our products in the catalog is the subject of a specific technical sheet with section plans, 3D view, dimensions, variants, accessories and locks available. These sheets can be downloaded here: [www.metalquartz.com/en/downloads](http://www.metalquartz.com/en/downloads)



Fixed frames



Single doors



Double doors



Automatic sliding doors



Security products with grilles



Sectional doors



Counters



Security gatehouses

# TAILOR-MADE PROJECT MANAGEMENT

## DEVELOPMENT OF IN-HOUSE SOLUTIONS

Metal Quartz develops innovative solutions to meet customer demands. In fact, if «turnkey» products are not enough for you, we are able to provide you with more global and tailor-made expertise to develop the solution you need.

### EXAMPLE OF AN ORIGINAL DESIGN: CUSTOM-MADE ARMORED BOOTHS, CONFIGURABLE IN 5 DIFFERENT LAYOUTS

#### Characteristics required by the customer:

- Outdoor gatehouse (waterproofing + thermal insulation)
- Armored and compliant with European standards (CR4 burglar-proof + FB6 bulletproof)
- A2-s1, d0 (M0-A1) fire resistant roof with validation by accredited laboratory
- Transportable in one piece (by truck, crane and forklift)
- Removable by 2 men and reassembled in one day, using wrench type tools
- Reconfigurable according to 5 different layouts
- Elements up to 65 kg (except the door), with storage possible on pallets
- Installation system on uneven ground
- High pressure washable, acid-resistant and tag-resistant outer casing



+ Training of the client's teams, for optimal assembly and disassembly of the booths.

#### STUDY AND ANALYSIS OF REQUIREMENTS

- risks analysis
- performance level specification
- budget calculation

#### RESEARCH & DEVELOPMENT

- 2D and/or 3D drawing
- prototype
- installation guide

#### COMPLIANCE TESTS TO THE SECURITY STANDARDS (OPTION)

- according to European, national or sectorial norms
- in approved laboratories and/or by appropriate authorities

#### PRODUCTION

- tracking of raw materials
- manufacturing and assembly in our Belgian workshops
- ISO 9001 supervision
- CE marking (option)



# WHO WE ARE

---

ICOMET GROUP is a group of companies with **Belgian origin** whose products are distributed **all over the world**.

We have **our own skilled workers** and **in-house workshops** to design and manufacture tailormade steel constructions, security products, wood, aluminum and steel doors and frames. But there is even more: we work with the best suppliers and partners to find the product that will perfectly meet the expectations of each customer.

At the national level, the group directly supports project management and services. At the international level, we can count on a **network of reliable and trusted partners**, close to you, in order to provide a quick and direct response to your needs on the field: taking measurements, installation, warranty & after-sales service. We organize training, installation assistance and approval of our partners.

**Our mission: ICOMET GROUP relieves the professional client in niche markets, by optimally protecting people and goods in its buildings and industrial infrastructure.**

**3**  **AREAS OF ACTIVITY**

Doors, gates & windows |  
Security | Metalworks

**3**  **EXPERTISE FIELDS**

Projects | Products | Service

**6**  **DAUGHTER COMPANIES**

Icomet | Icomet DV | Icomet FR  
Alpido | ESP | Metal Quartz

**7**  **VALUES**

Collaboration | Communication | Customer orientation |  
Flexibility | Results orientation |  
Security | Think profitability

**3**  **OPERATING SITES  
AND / OR WORKSHOPS**

Deinze (BE) | Péruwelz (BE) | Paris (FR)

**>100**  **APPROVALS &  
CERTIFICATES**

ISO | VCA | ISIB | CE | EN 1090 | EN 1627-1630  
EN 1522-1523 | EN 1634-1 | EN 1143-1 | ...

**>30**  **YEARS OF EXPERIENCE**

In project management and  
creation of unique products

**140**  **WORKERS**

United to provide quality and service

## OUR OTHER PRODUCTS

---

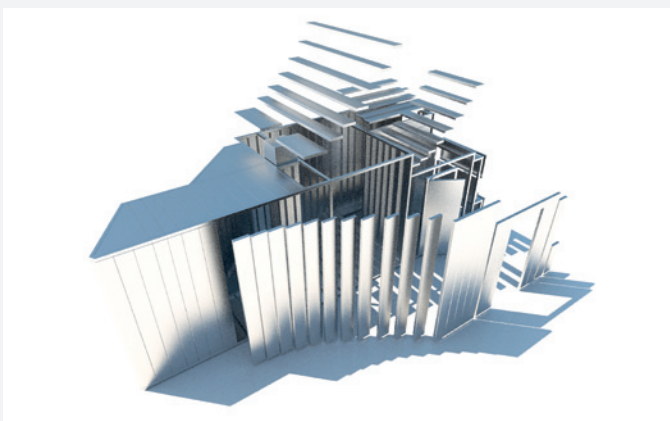


A true specialist in **protection against malicious acts**, Icomet Group manufactures a complete range of anti-intrusion, bullet-proof and electromagnetic (EMC) security products.

Among these, the patented **Stackdoor®** concept: burglar-proof security shutters and grilles with maximum visibility during closing and minimal storage space after opening; with made-to-measure straight, curved or angled shapes.

Metal Quartz also produces **Bunkerkit®**, a unique concept of modular shielded room for the protection of people (bulletproof shielding), property (burglar-proof shielding) and/or data (electromagnetic shielding).

The innovation of Bunkerkit lies mainly in its modularity: the panels are assembled together by simple bolting and can create compartments ranging from basic partitions to the most complex constructions..



**STACKDOOR®**



**BUNKERKIT®**

The expertise of  
Metal Quartz  
on video,  
it's this way...



# METAL QUARTZ

| High Security Joinery

Metal Quartz s.a. (Icomet Group) | rue Verte Reine 15, B-7600 Péruwelz (Belgium)  
+32 (0)69 77 95 21 | metalquartz@icometgroup.com | [www.metalquartz.com](http://www.metalquartz.com)

## REFERENCES



CHANEL



L'ORÉAL®



VACHERON CONSTANTIN



**BANK:** Argenta (BE) ▪ AXA (BE) ▪ Bank of Baroda (BE) ▪ Bank of Tokyo (BE) ▪ Banque Populaire (FR) ▪ BCEE (LUX) ▪ Belfius (BE) ▪ BIL (LUX) ▪ BNP Paribas Fortis (BE) ▪ B-Post (BE) ▪ Caisse d'Épargne (FR) ▪ CBC (BE) ▪ CIC (FR) ▪ Crédit Agricole (FR) ▪ Crédit du Nord (FR) ▪ Crelan (BE) ▪ Fintro (BE) ▪ HSBC (FR) ▪ Indosuez (FR) ▪ ING (BE) ▪ Jones Lang LaSalle (BE) ▪ La Poste (FR) ▪ Monte Paschi di Siena (BE) ▪ **LUXURY:** Cartier (FR, CH) ▪ Galeries Lafayette (FR) ▪ Pichard Balme (FR) ▪ Richemont (FR) ▪ Vacheron Constantin (FR) ▪ Louis Vuitton (FR) ▪ Van Cleef & Arpels (FR) ▪ Chopard (CH) ▪ **ENERGY:** Alstom (FR) ▪ Areva (FR) ▪ CEA (FR) ▪ EDF / CNPE (FR) ▪ Engie (BE) ▪ IRE (BE) ▪ **PUBLIC SECTOR:** Italian Embassy (LU) ▪ Belgian Authorities (BE) ▪ Dutch Authorities (NL) ▪ Defence Department (FR, NL) ▪ Pension National Office (BE) ▪ SSD Sécurité Diplomatique (FR) ▪ Finance Department (FR) ▪ Police du Canton de Genève (CH) ▪ Police (BE) ▪ Police Schools (FR) ▪ **RETAIL:** Carrefour (BE) ▪ IKEA (FR) ▪ Monoprix (FR) ▪ **SECURITY:** CS Communication & Systèmes (FR) ▪ Genix Security (CH) ▪ Thalès Group (FR) ▪ **OTHERS:** ADIT (FR) ▪ Disney (FR) ▪ Free (FR) ▪ Novagraaf (FR).